

# Zipper-Wall Arch

---

## *Delivery specifications*

### PDF format

- Do not place any cutting lines or frames around the printable image.
- Convert all fonts into letter outlines.
- Remove all invisible layers from the layout.

### Use of colour

- Use CMYK colours. No LAB colours.
  - For the deepest black, use the following colour codes: CMYK 86/85/79/100 or RGB 0/0/0. When files with both vectors and photos (bitmaps) are used, also use these colour codes in the photos. Otherwise colour differences may arise within the images
- Note: colours can deviate slightly when printed on fabric. A test print is available on special request.**

### Resolution

- We advise a resolution of 70 to 120 dpi (End format).  
*(For example: for photos (bitmaps) on a large format canvas for outdoor use, an end resolution of 30 dpi is sufficient. If the image in the file has 10% of the size of the end format, the image in the file must have a resolution of 300 dpi)*

### Dimensioning

- We always communicate in the sequence width first, then height (w x h).
- Files delivered in the correct ratio (w x h) will automatically be scaled to the requested format.
- Deviations in the ratio (w x h) up to 1.5% are automatically adjusted to the ordered size. If the deviation exceeds 1.5%, we will contact you.
- Image dimensions can deviate slightly due to stretch, shrinkage or the elastic properties of the material.

# Zipper-Wall Arch

## Graphical specifications

### File set-up



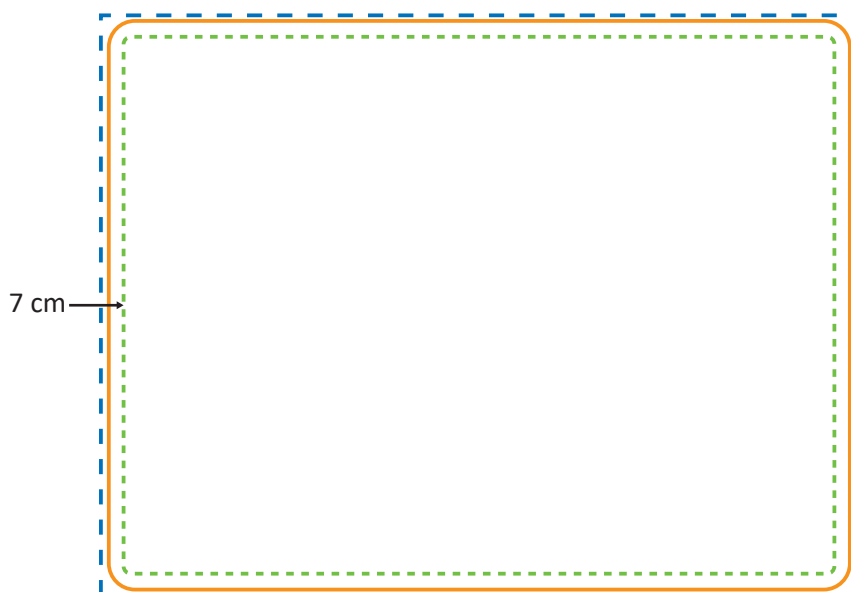
The **blue line** is the outline of the document size.



Confection is done on the **orange line**. This is the final net size.



Important text and images should be placed within the **green line** because of the confection. The green and blue line are **7 cm** apart.



### File supply

- 1: Please remove all sizes and lines (orange, green and blue).
- 2: The standard backside of the print is white (unprinted).

If you desire the backside printed, please provide the design on the second page of the file.

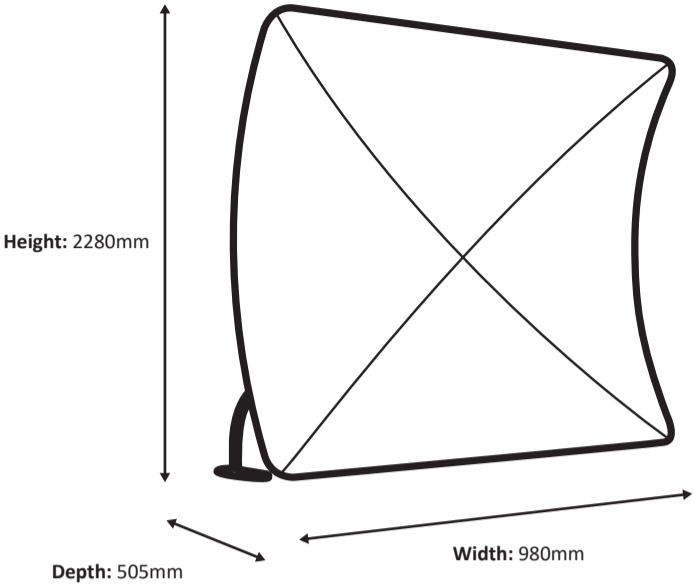
- 3: Supply on real size in PDF via E-mail / YouSendit / WeTransfer.



# Zipper-Wall Arch 100 x 230cm Graphic (ZWA100-230G)

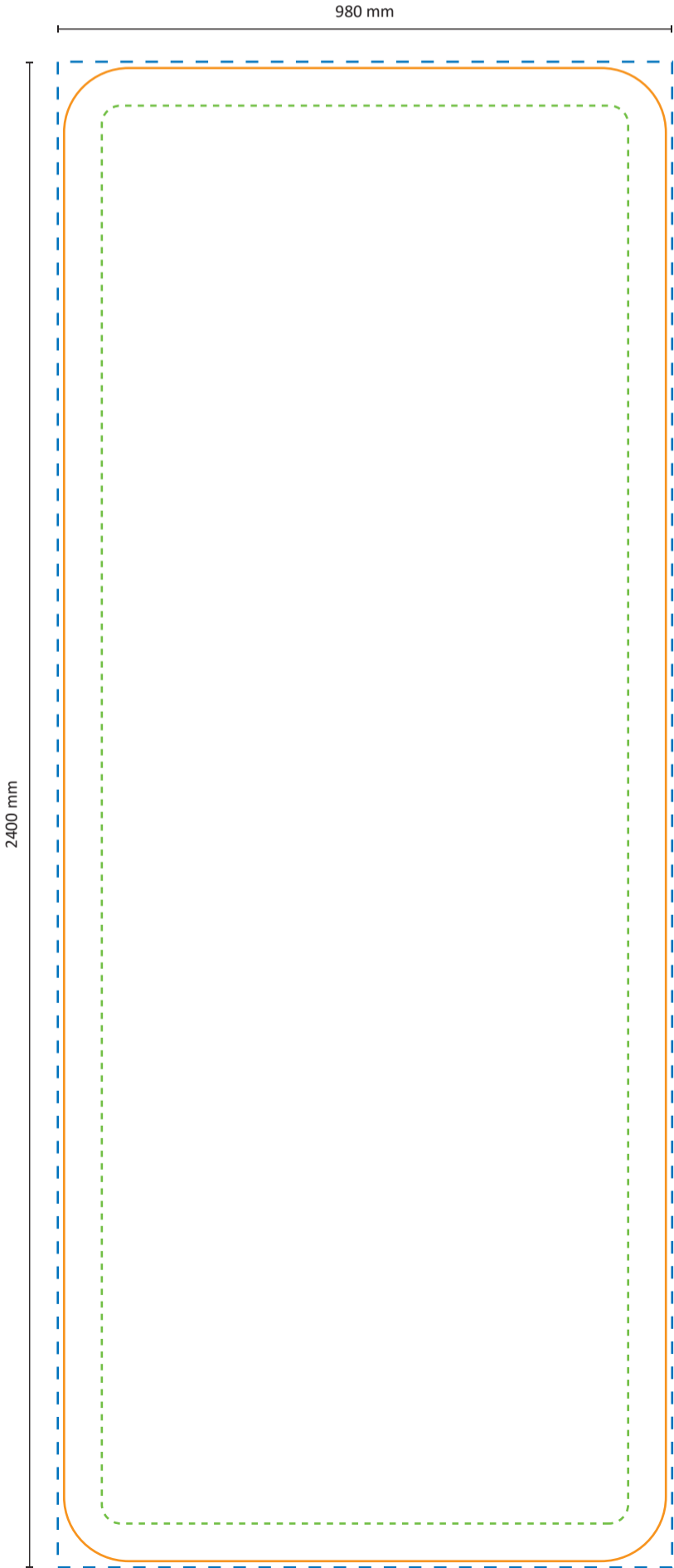
## Specifications

### Frame



### Graphic

Actual size of graphic: 980 \* 2400 mm (W/H)

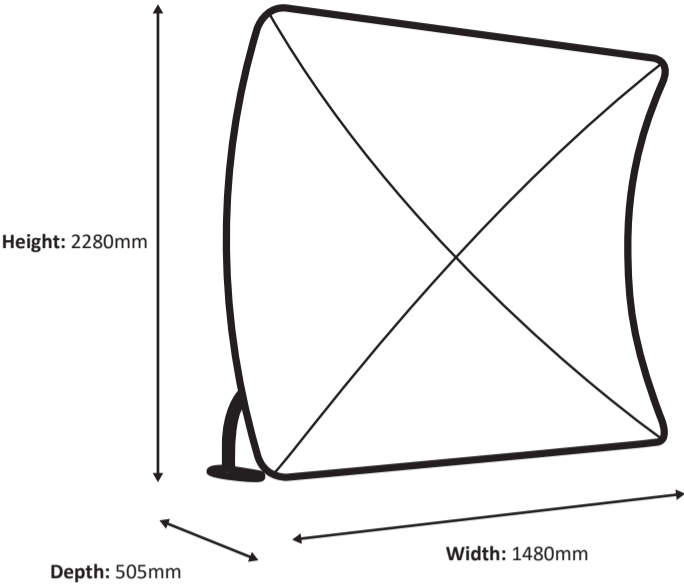


Scale 1:10

# Zipper-Wall Arch 150 x 230cm Graphic (ZWA100-230G)

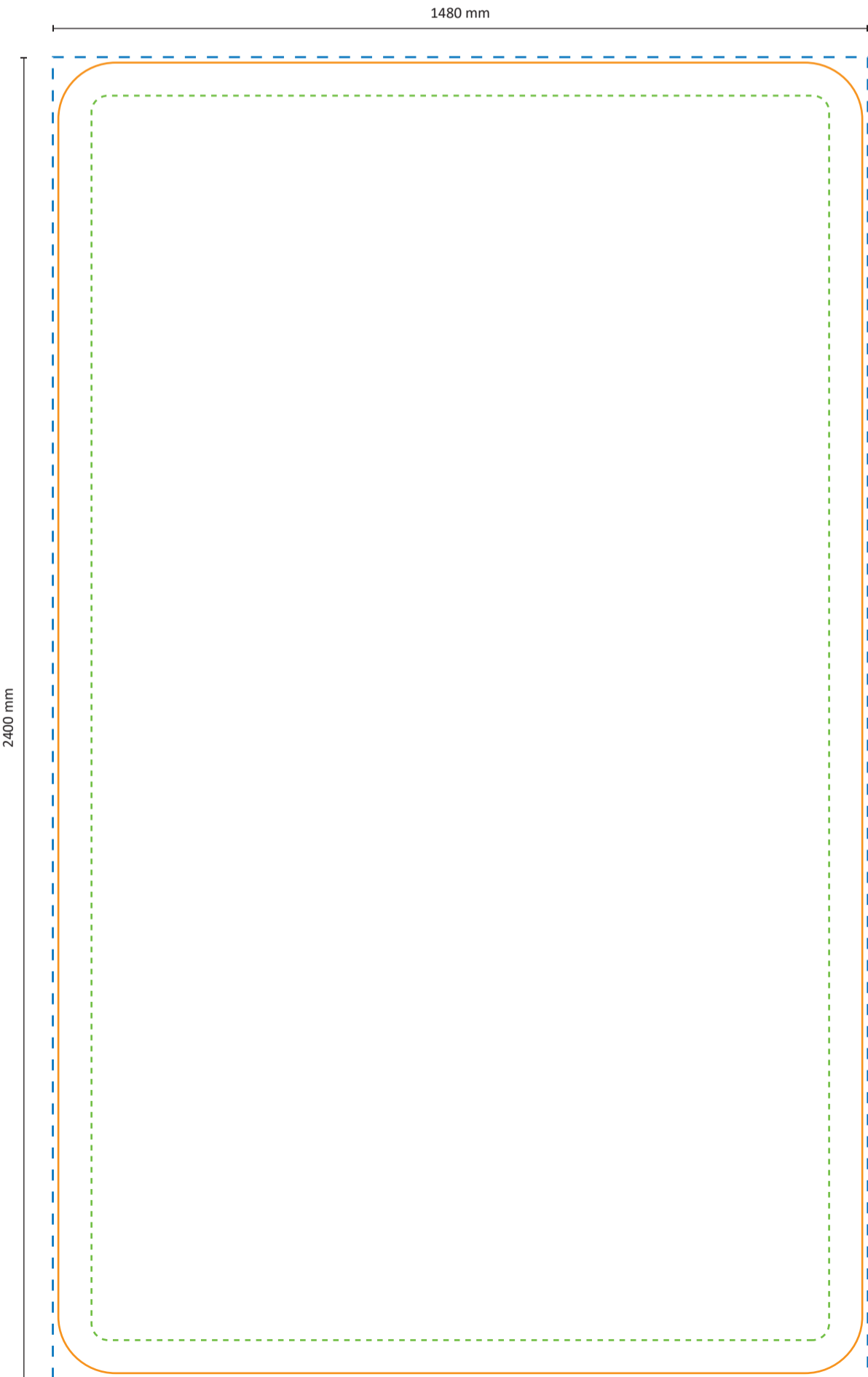
## Specifications

### Frame



### Graphic

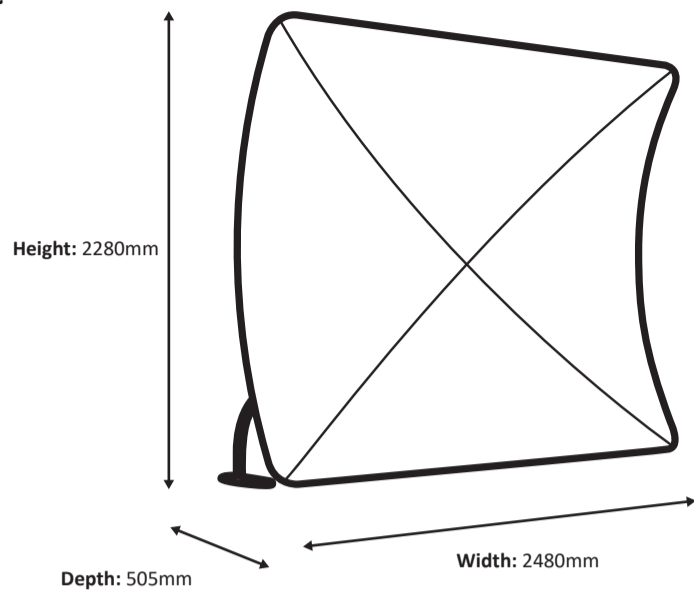
Actual size of graphic: 1480 \* 2400 mm (W/H)



# Zipper-Wall Arch 250 x 230cm Graphic (ZWA250-230G)

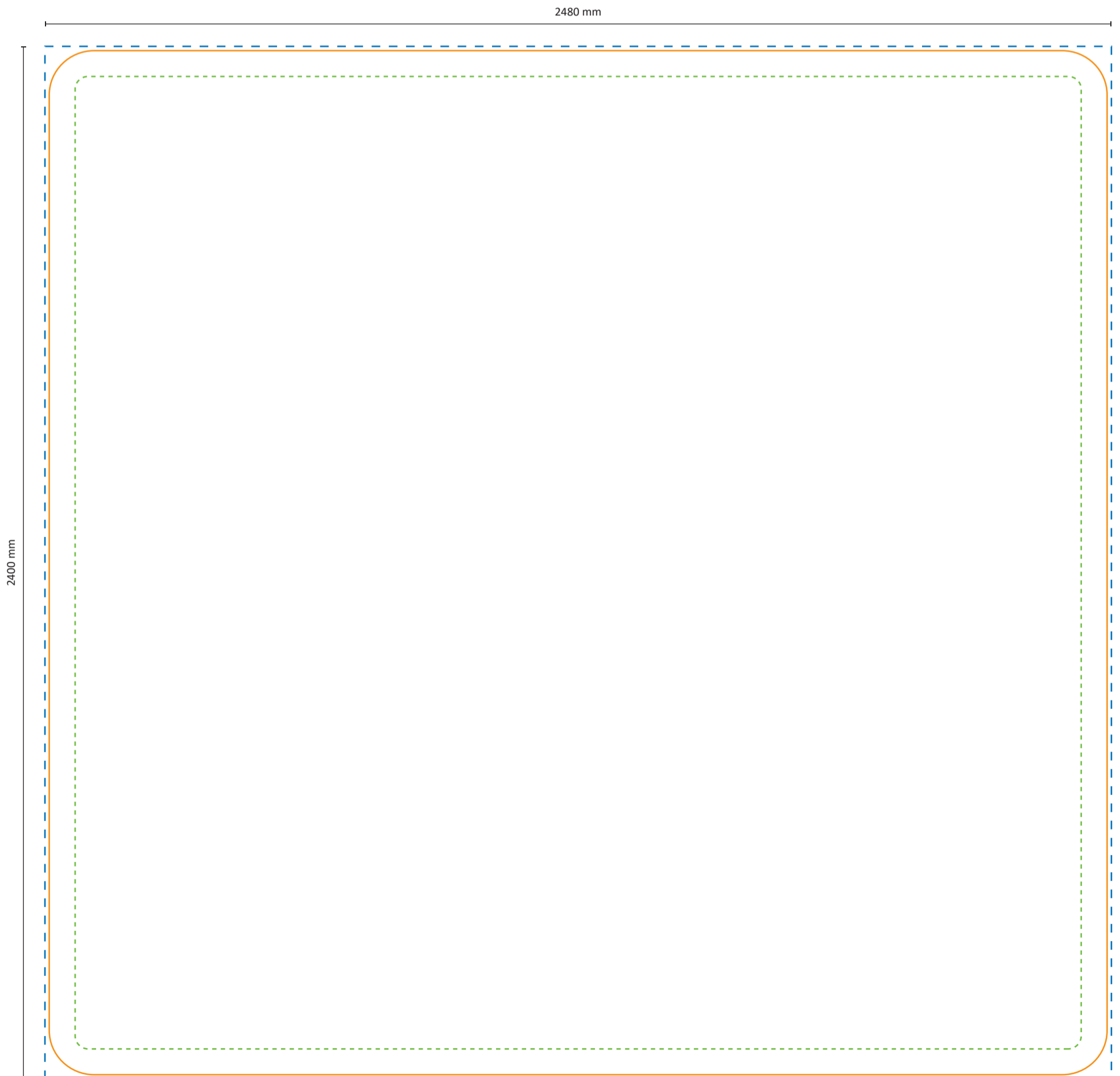
## Specifications

### Frame



### Graphic

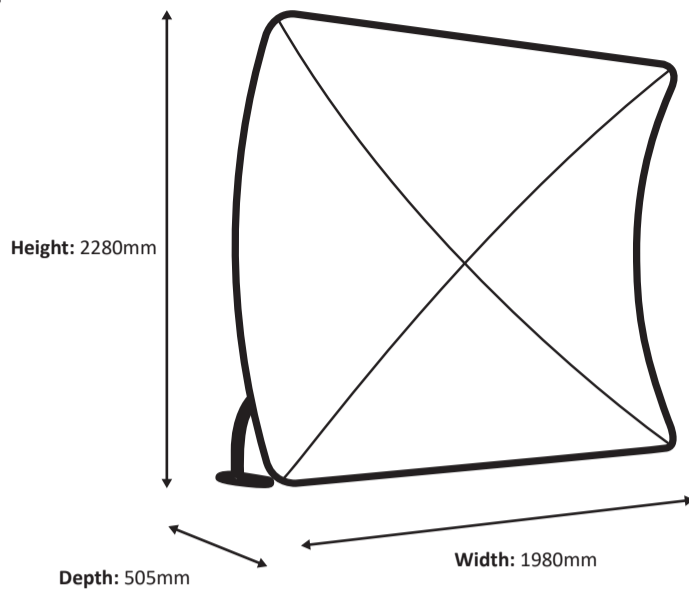
Actual size of graphic: 2480 \* 2400 mm (W/H)



# Zipper-Wall Arch 200 x 230cm Graphic (ZWA200-230G)

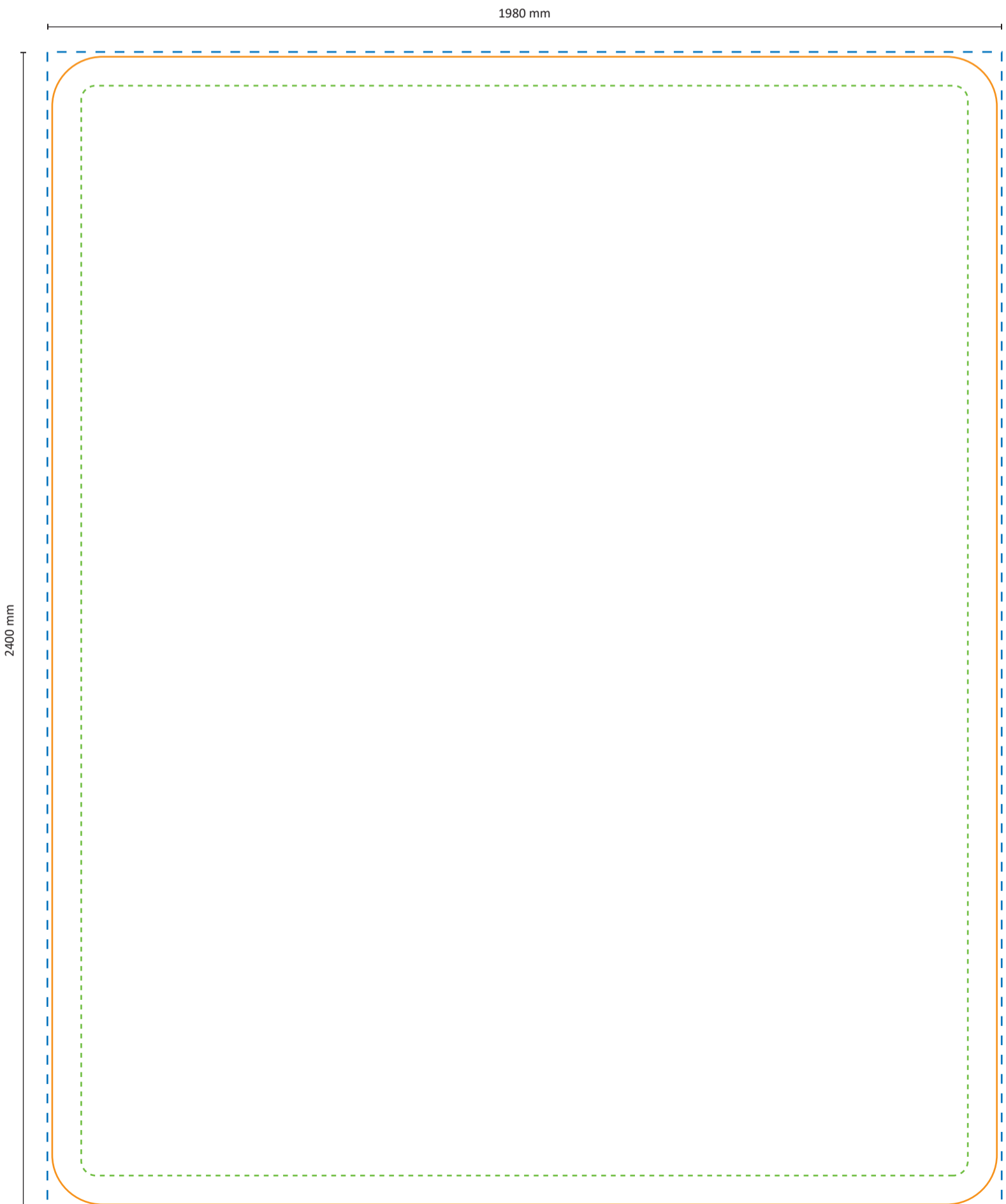
## Specifications

### Frame



### Graphic

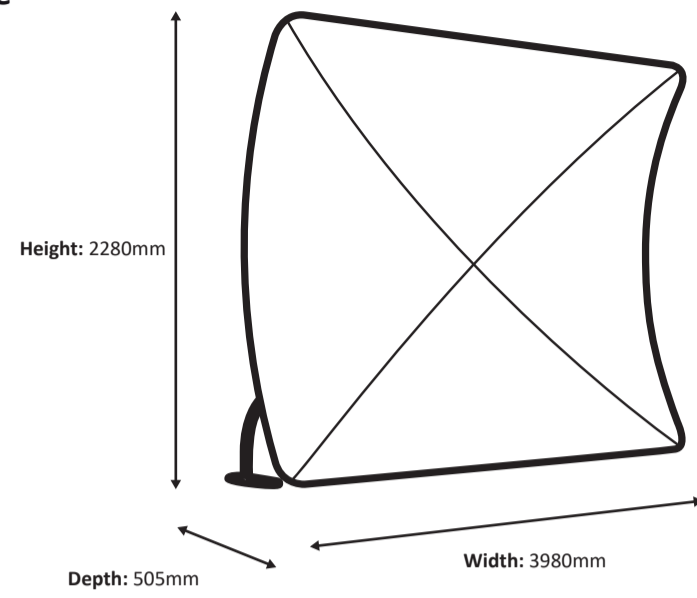
Actual size of graphic: 1980 \* 2400 mm (W/H)



# Zipper-Wall Arch 400 x 230cm Graphic (ZWA400-230G)

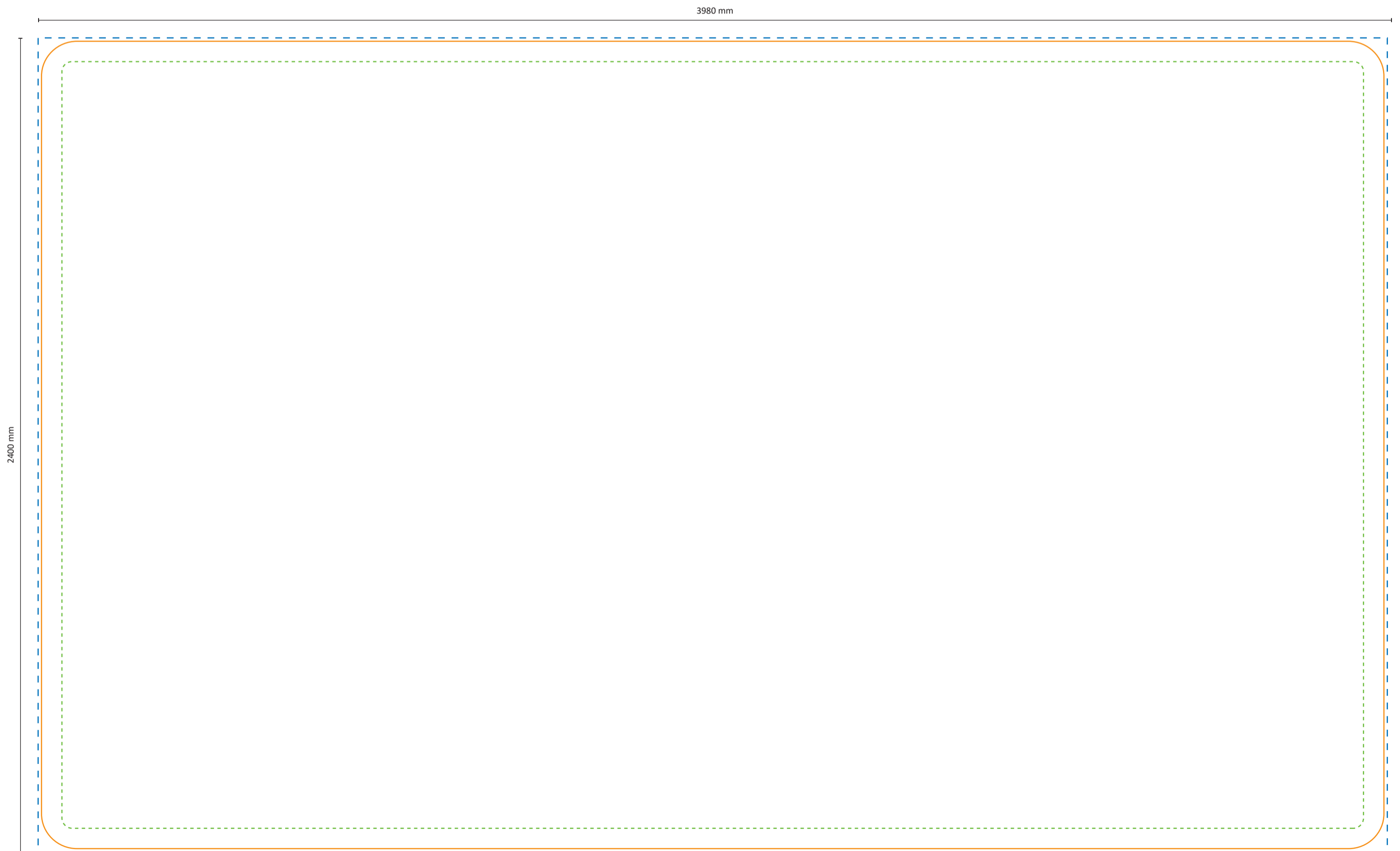
## Specifications

### Frame



### Graphic

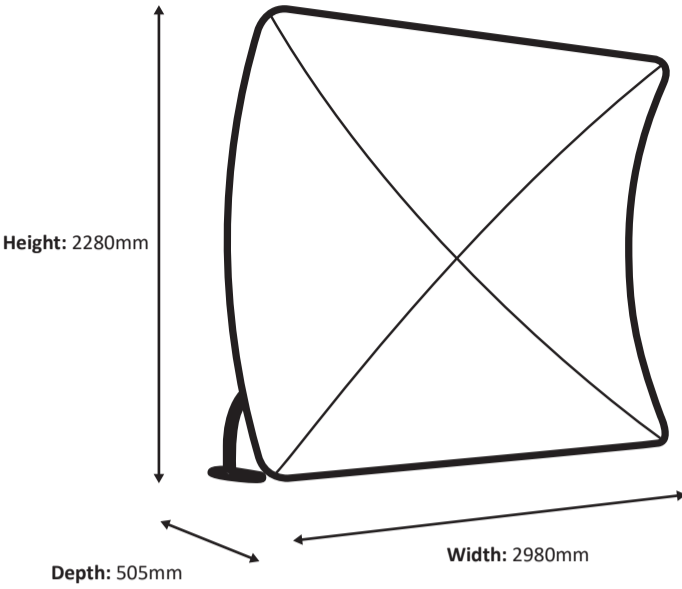
Actual size of graphic: 3980 \* 2400 mm (W/H)



**Zipper-Wall Arch 300 x 230cm Graphic (ZWA300-230G)**

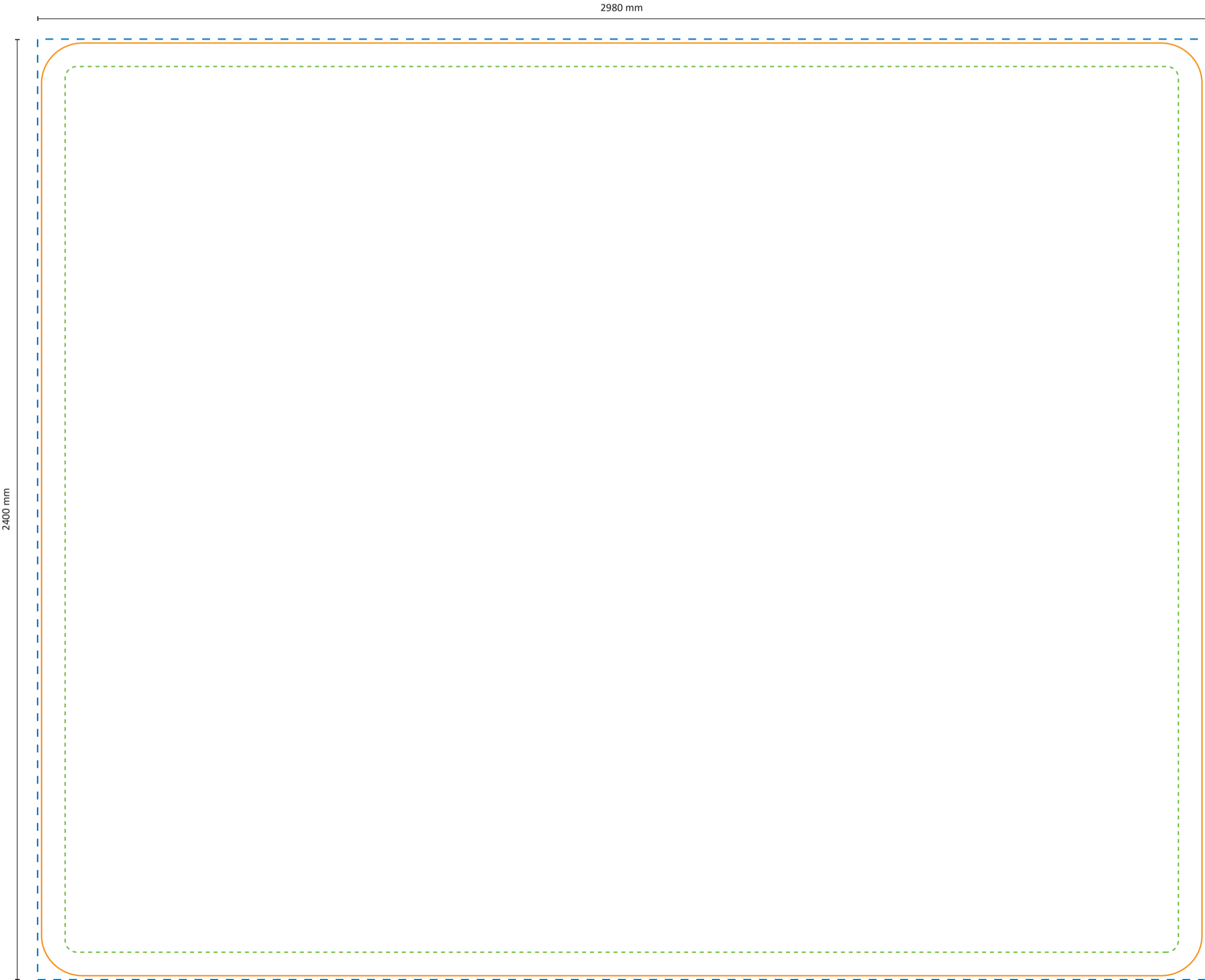
*Specifications*

**Frame**



**Graphic**

Actual size of graphic: 2980 \* 2400 mm (W/H)

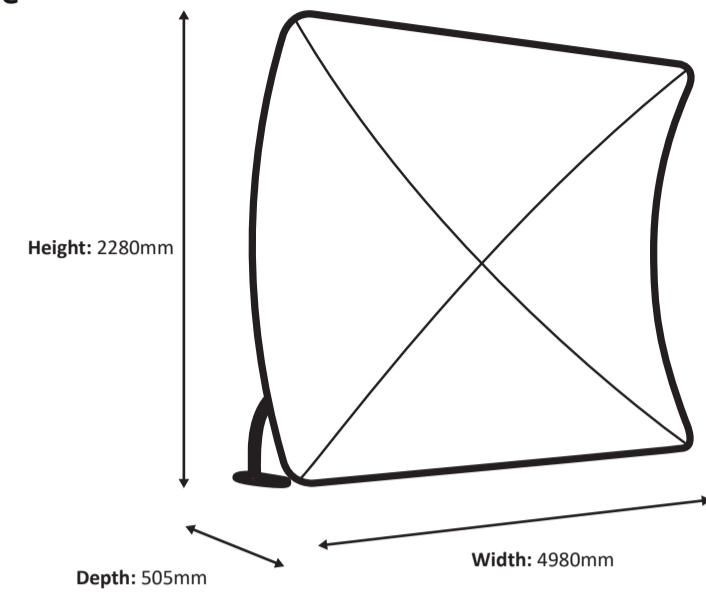




# Zipper-Wall Arch 500 x 230cm Graphic (ZWA500-230G)

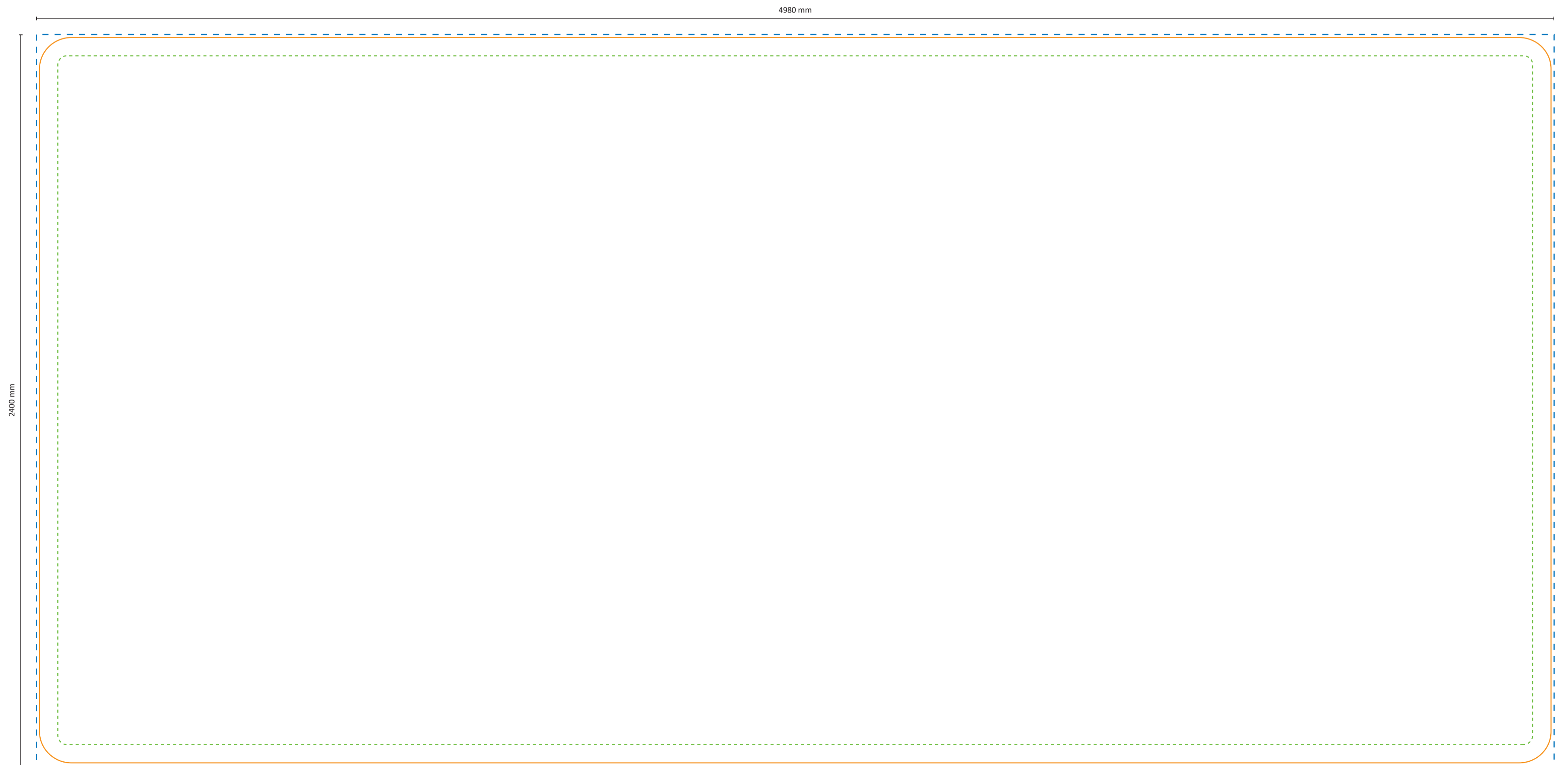
## Specifications

### Frame



### Graphic

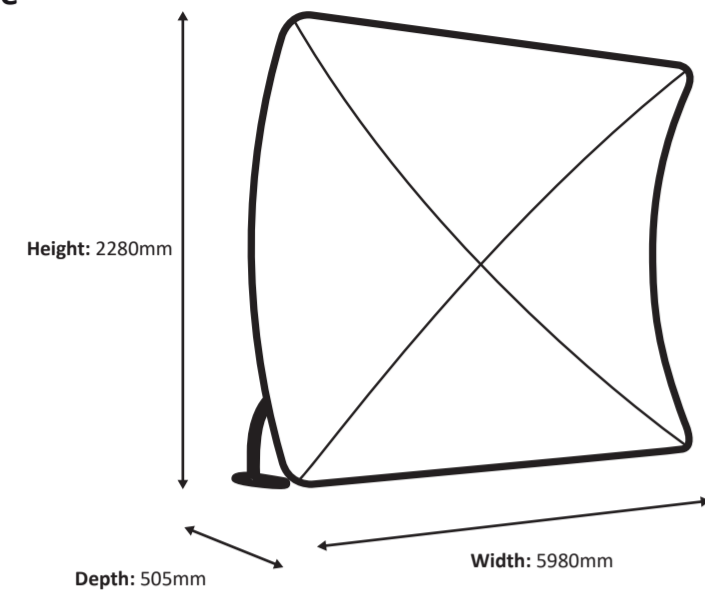
Actual size of graphic: 4980 \* 2400 mm (W/H)



# Zipper-Wall Arch 600 x 230cm Graphic (ZWA600-230G)

## Specifications

### Frame



### Graphic

Actual size of graphic: 5980 \* 2400 mm (W/H)

